

# Product data sheet

## Characteristics

# XS130B3NAL2

Inductive proximity sensors XS, inductive sensor XS1 M30, L45mm, brass, Sn15mm, 12...24 VDC, cable 2 m



Product availability: Non-Stock - Not normally stocked in distribution facility

Price\*: 68.77 USD



### Main

|                                    |  |
|------------------------------------|--|
| Range of product                   | Telemecanique Inductive proximity sensors XS                 |
| Series name                        | General purpose  |
| Sensor type                        | Inductive proximity sensor                                   |
| Device application                 | Mobile equipment   |
| Sensor name                        | XS1  |
| Sensor design                      | Cylindrical M30  |
| Size                               | 45 mm  |
| Body type                          | Fixed  |
| Detector flush mounting acceptance | Flush mountable  |
| Material                           | Metal  |
| Type of output signal              | Discrete   |
| Wiring technique                   | 3-wire   |
| [Sn] nominal sensing distance      | 0.59 In (15 mm)  |
| Discrete output function           | 1 NO   |
| Output circuit type                | DC   |
| Discrete output type               | NPN  |
| Electrical connection              | Cable  |
| Cable length                       | 6.56 Ft (2 m)  |
| [Us] rated supply voltage          | 12...24 V DC reverse polarity protection                     |
| Switching capacity in mA           | <= 200 mA overload and short-circuit protection              |
| IP degree of protection            | IP65 conforming to IEC 60529<br>IP67 conforming to IEC 60529 |

## Complementary

|                          |                              |
|--------------------------|------------------------------|
| Thread type              | M30 x 1.5                    |
| Detection face           | Frontal                      |
| Front material           | PPS                          |
| Enclosure material       | Nickel Plated Brass          |
| Operating zone           | 0.00...0.47 In (0...12 mm)   |
| Differential travel      | 1...15% of Sr                |
| Cable composition        | 3 x 0.34 mm <sup>2</sup>     |
| Wire insulation material | PvR                          |
| Status LED               | Output state: 1 LED (yellow) |
| Supply voltage limits    | 10...36 V DC                 |
| Switching frequency      | <= 500 Hz                    |
| Maximum voltage drop     | <2 V (closed)                |
| Current consumption      | <= 10 mA no-load             |
| Maximum delay first up   | 10 Ms                        |
| Maximum delay response   | 0.6 Ms                       |
| Maximum delay recovery   | 1.4 Ms                       |
| Marking                  | CE                           |
| Threaded length          | 1.26 In (32 mm)              |
| Length                   | 1.77 In (45 mm)              |
| Net weight               | 0.40 Lb(US) (0.18 kg)        |

## Environment

|                                       |   |
|---------------------------------------|---|
| Product certifications                | CSA<br>E2<br>UL                         |
| Ambient air temperature for operation | -13...158 °F (-25...70 °C)              |
| Ambient air temperature for storage   | -40...185 °F (-40...85 °C)              |
| Vibration resistance                  | 25 gn +/- 2 mm 10...55 Hz)IEC 60068-2-6 |
| Shock resistance                      | 50 gn 11 ms IEC 60068-2-27              |

## Ordering and shipping details

|                       |   |
|-----------------------|---|
| Category              | 21571 - SENSORS, ELECTRONIC BASIC XU & XS |
| Discount Schedule     | DS2                                       |
| GTIN                  | 03389119036627                            |
| Nbr. of units in pkg. | 1   |
| Package weight(Lbs)   | 6.21 Oz (176 g)                           |
| Returnability         | No  |
| Country of origin     | FR  |

## Packing Units

|                        |                  |
|------------------------|------------------|
| Unit Type of Package 1 | PCE              |
| Package 1 Height       | 5.12 In (13 cm)  |
| Package 1 width        | 1.61 In (4.1 cm) |
| Package 1 Length       | 3.70 In (9.4 cm) |

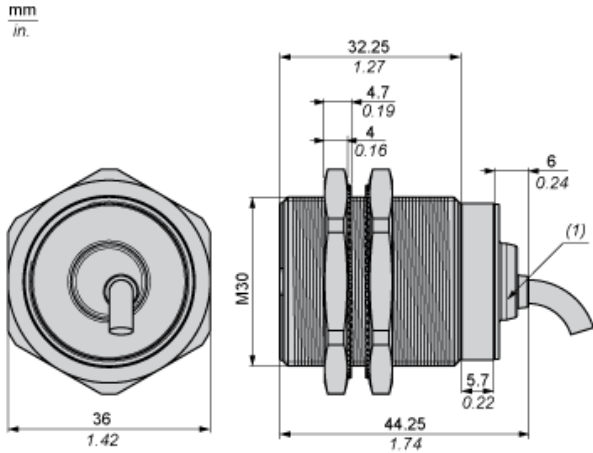
## Offer Sustainability

|                            |  |
|----------------------------|--|
| Sustainable offer status   | Green Premium product  |
| California proposition 65  | WARNING: This product can expose you to chemicals including: Diisononyl phthalate (DINP), which is known to the State of California to cause cancer, and Diisodecyl phthalate (DIDP), which is known to the State of California to cause birth defects or other reproductive harm. For more information go to <a href="http://www.P65Warnings.ca.gov">www.P65Warnings.ca.gov</a> |
| REACH Regulation           | <a href="#">REACH Declaration</a>  |
| EU RoHS Directive          | Pro-active compliance (Product out of EU RoHS legal scope) <a href="#">EU RoHS Declaration</a>   |
| Mercury free               | Yes  |
| RoHS exemption information | <a href="#">Yes</a>  |
| Environmental Disclosure   | <a href="#">Product Environmental Profile</a>  |
| Circularity Profile        | <a href="#">End Of Life Information</a>  |

## Contractual warranty

|          |           |
|----------|-----------|
| Warranty | 18 months |
|----------|-----------|

Dimensions



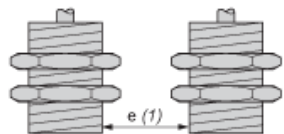
(1) LED

---

Minimum Mounting Distances

---

Side by side



$e (1) \geq 30 \text{ mm}/1.18 \text{ in.}$

Face to face



$e (2) \geq 80 \text{ mm}/7.09 \text{ in.}$

Facing a metal object



$e (3) \geq 45 \text{ mm}/1.77 \text{ in.}$

Wiring Schemes



BU : Blue  
BN : Brown  
BK : Black

Product Life Status : Commercialised